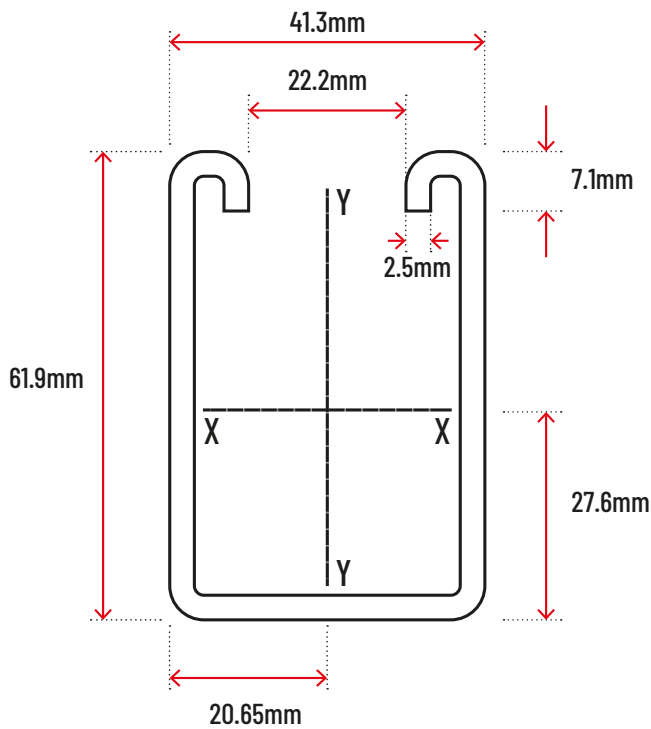


SOLID CHANNEL STRUT 40 X 60



Available Finishes

Comes in a variety of finishes including Galvabond, Hot Dipped Galvanised, 316 Grade Stainless Steel and can be Powder Coated to Order.



Strut Type	Beam Span or Unsupported Column Height(mm)	Max Beam Working Load (kN)	Deflection at Max Working Load (mm)	Column Max. Loading (kN)
OZ01A5500	250	26.5	0.15	56.5
OZ01A5500	500	13.05	0.62	45.1
OZ01A5500	750	8.75	1.35	33.15
OZ01A5500	1000	6.35	2.35	23.6
OZ01A5500	1250	5.015	3.61	16.95
OZ01A5500	1500	4.2	5.19	13.15
OZ01A5500	1750	3.6	7.15	11.05
OZ01A5500	2000	3.15	9.25	9.15
OZ01A5500	2250	2.8	11.8	7.05
OZ01A5500	2500	2.65	14.55	7.12
OZ01A5500	2750	2.3	17.55	6.65
OZ01A5500	3000	2.15	20.95	5.85