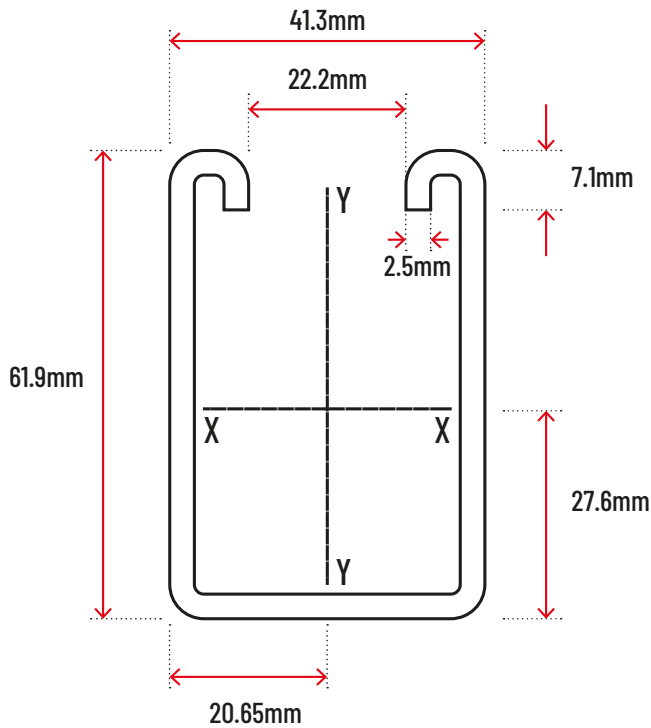


SLOTTED CHANNEL STRUT 40 X 60



Available Finishes

Comes in a variety of finishes including Galvabond, Hot Dipped Galvanised, can be Powder Coated to Order.



Strut Type	Beam Span or Unsupported Column Height(mm)	Max Beam Working Load (kN)	Deflection at Max Working Load (mm)	Column Max. Loading (kN)
OZ01A5500T	250	23.95	0.15	50.33
OZ01A5500T	500	12.25	0.55	40.33
OZ01A5500T	750	7.85	1.26	30.1
OZ01A5500T	1000	5.85	2.16	21.07
OZ01A5500T	1250	4.55	3.32	15.15
OZ01A5500T	1500	3.85	4.78	12.08
OZ01A5500T	1750	3.35	6.42	10.02
OZ01A5500T	2000	2.85	8.55	8.75
OZ01A5500T	2250	2.55	10.68	7.35
OZ01A5500T	2500	2.35	12.98	6.5
OZ01A5500T	2750	2.05	15.95	5.82
OZ01A5500T	3000	1.88	18.98	5.29