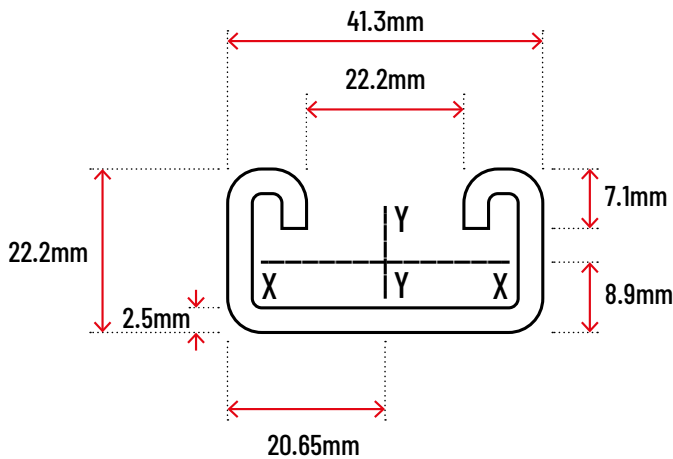


## SLOTTED CHANNEL STRUT 40 x 20



### Available Finishes

Comes in a variety of finishes including Galvabond, Hot Dipped Galvanised, 316 Grade Stainless Steel and can be Powder Coated to Order.



Strut Type	Beam Span or Unsupported Column Height(mm)	Max Beam Working Load (kN)	Deflection at Max Working Load (mm)	Column Max. Loading (kN)
OZ01A3300T	250	4.79	0.39	33.35
OZ01A3300T	500	2.38	1.71	25.35
OZ01A3300T	750	1.75	3.76	18.35
OZ01A3300T	1000	1.27	6.81	11.35
OZ01A3300T	1250	1.15	9.98	7.25
OZ01A3300T	1500	0.91	14.35	-
OZ01A3300T	1750	0.8	20.35	-
OZ01A3300T	2000	0.6	25.65	-
OZ01A3300T	2250	0.53	34.8	-
OZ01A3300T	2500	0.5	41.35	-
OZ01A3300T	2750	0.46	50.93	-
OZ01A3300T	3000	0.39	58.5	-