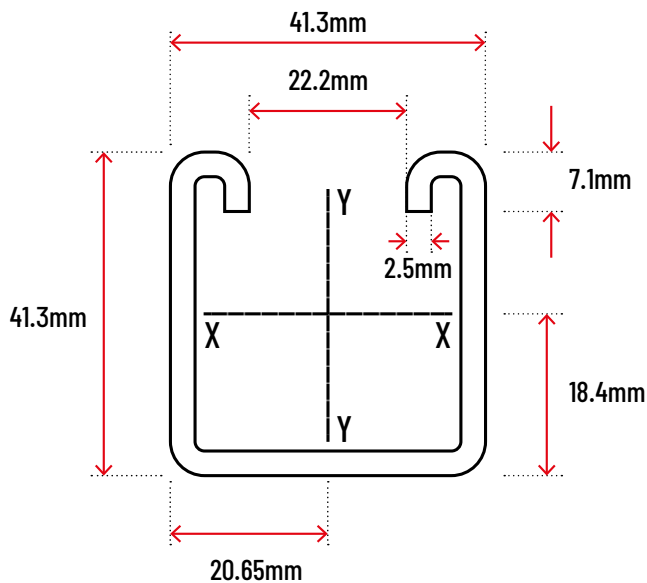


SOLID CHANNEL STRUT



Available Finishes

Comes in a variety of finishes including Galvabond, Hot Dipped Galvanised, 316 Grade Stainless Steel and can be Powder Coated to Order.



Strut Type	Beam Span or Unsupported Column Height(mm)	Max Beam Working Load (kN)	Deflection at Max Working Load (mm)	Column Max. Loading (kN)
OZ01A1000	250	14.85	0.22	45.5
OZ01A1000	500	7.4	0.87	36.85
OZ01A1000	750	4.95	1.97	28.2
OZ01A1000	1000	3.6	3.5	21.4
OZ01A1000	1250	2.95	5.48	16.4
OZ01A1000	1500	2.45	7.88	13.21
OZ01A1000	1750	2.15	10.72	10.99
OZ01A1000	2000	1.86	13.99	9.33
OZ01A1000	2250	1.66	17.73	8.01
OZ01A1000	2500	1.46	21.88	6.99
OZ01A1000	2750	1.33	26.46	6.13
OZ01A1000	3000	1.23	31.48	0