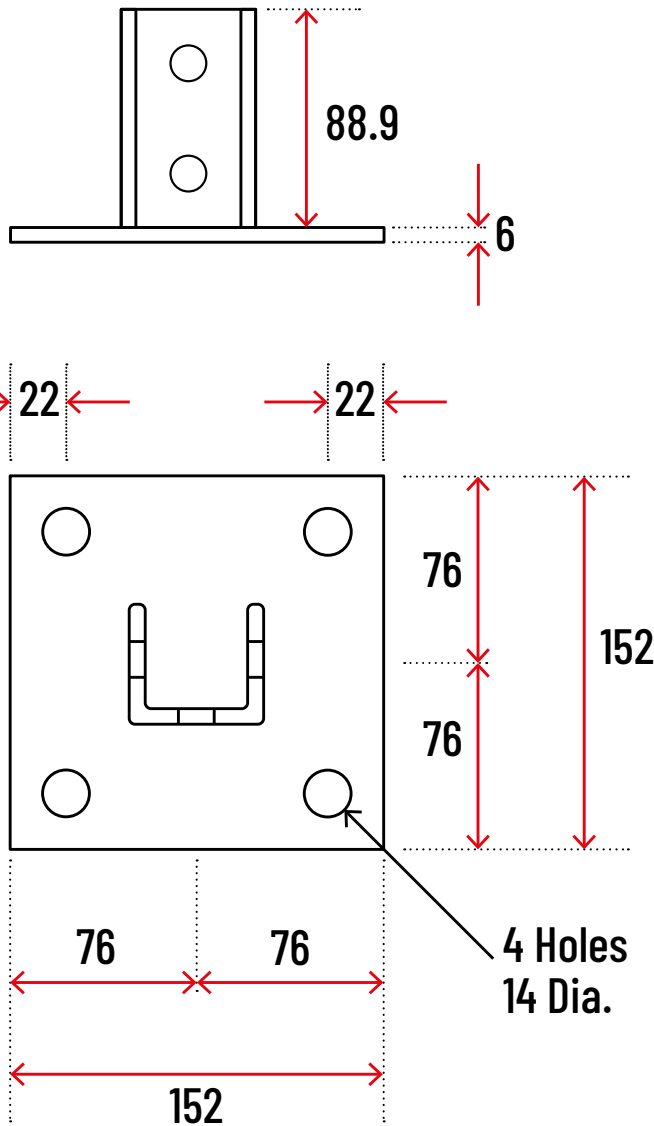
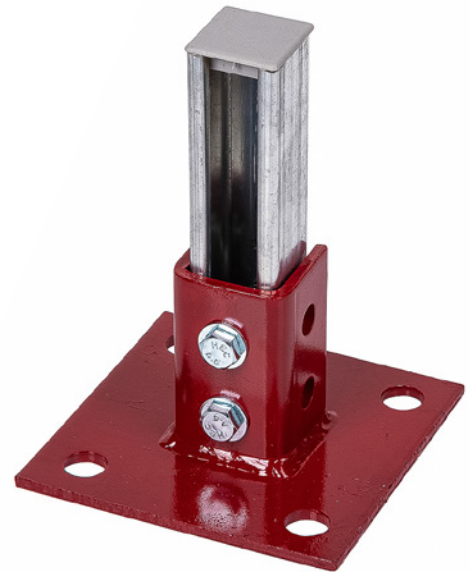


BASE PLATE



Available Finishes

Hot Dip Galv
Stainless Steel



Product Code	Description	Dimensions	Hole Size	Finish	Qty	Box Qty
OZ01AB2072ASQ	Base Plate 150 x 150mm	150 x 150 x 89 x 6mm	14mm	HDG	Each	10
OZ01AB2072ASQSS316	Base Plate 150 x 150mm S/s 316	150 x 150 x 89 x 6mm	14mm	SS 316	Each	10